



## Dual Check Valve Installation / Replacement Report

### Service Address

Customer Name \_\_\_\_\_  
 Address \_\_\_\_\_  
 City \_\_\_\_\_  
 State \_\_\_\_\_ ZIP \_\_\_\_\_  
 Phone \_\_\_\_\_

### Company Information

Company \_\_\_\_\_  
 Address \_\_\_\_\_  
 City \_\_\_\_\_  
 State \_\_\_\_\_ ZIP \_\_\_\_\_  
 Phone \_\_\_\_\_

Auxiliary Water System	Meter Information
<input type="checkbox"/> Well  <input type="checkbox"/> Well / Irrigation  <input type="checkbox"/> Reclaimed or Surface Water / Irrigation	Meter # _____  Location _____ _____

Thermal Expansion Control	Decommissioned Backflow Preventer	Installed Dual Check
<p><u>Florida Building Code 607.3</u> Where a storage water heater is supplied with cold water that passes through a check valve, pressure reducing valve or backflow preventer, a thermal expansion control device shall be connected to the water heater cold water supply pipe at a point that is downstream of all check valves, pressure reducing valves and backflow preventers. Thermal expansion control devices shall be sized in accordance with the manufacturer's instructions and shall be sized such that the pressure in the water distribution system shall not exceed that required by Section 604.8</p>	<input type="checkbox"/> <b>No existing device</b>  <b>Make:</b> _____ <b>Model:</b> _____ <b>Type:</b> _____ <b>Size:</b> _____ <b>S/N:</b> _____	<b>Make:</b> _____  <b>Model:</b> _____ <b>Type:</b> <u>Dual Check Valve</u>  <b>Size:</b> _____ <b>S/N:</b> _____

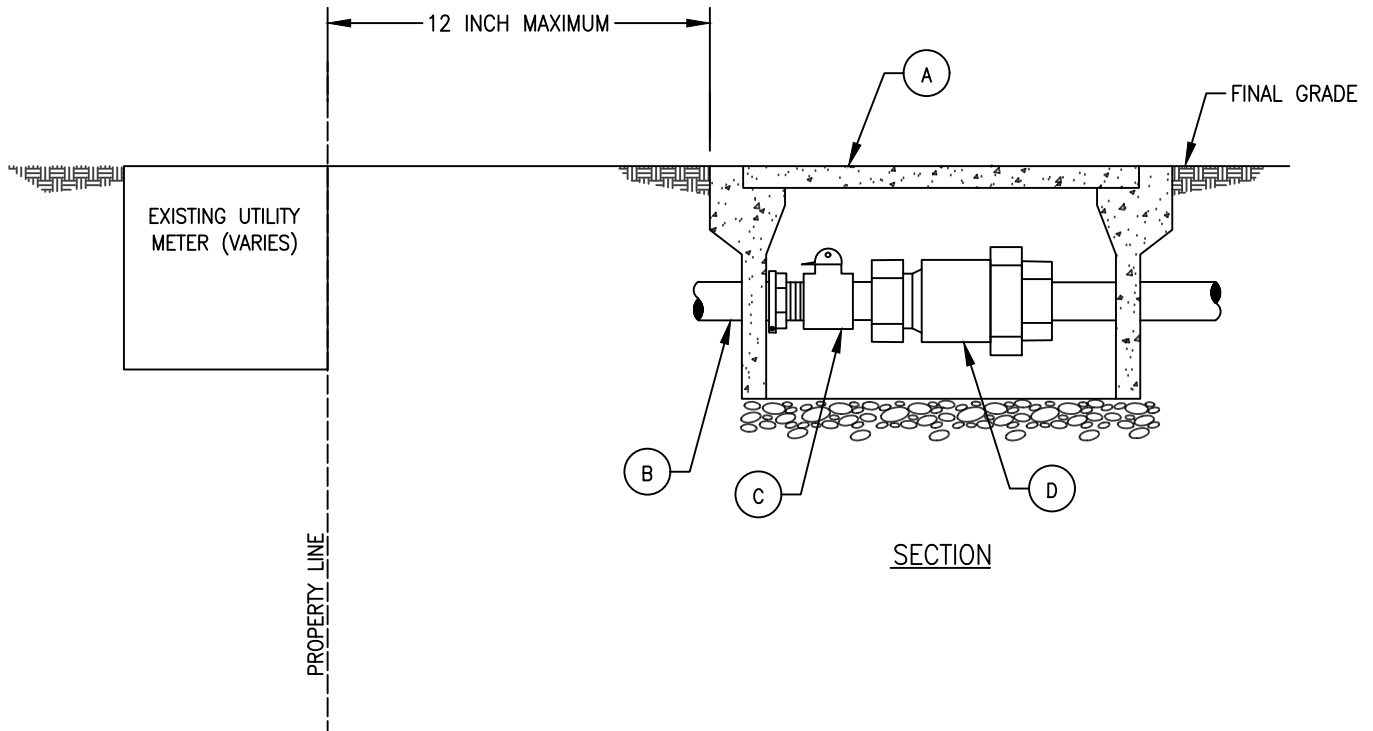
Comments:

**Licensed Contractor's Statement**

I have inspected the potable supply line and have determined that there is no known cross-connection between the potable water supply and any other source such as a well, lake, or reclaimed water system. The dual check valve installation meets the most current Florida Building Code requirements.

Installer's Printed Name \_\_\_\_\_ CFC# \_\_\_\_\_  
 Installer's Signature \_\_\_\_\_ Date \_\_\_\_\_

**Sarasota County Public Utilities • 1001 Sarasota Center Blvd • Sarasota, FL 34240**  
 Phone: 941-861-6790 Fax: 941-861-0528 Email: [backflow@scgov.net](mailto:backflow@scgov.net) Web: [www.scgov.net](http://www.scgov.net)



### MATERIALS

- (A) METER BOX WITH COVER TO BE LOCATED CLEAR OF DRIVEWAYS
- (B) POLYETHYLENE TUBING, PE3408, 200 PSI SDR9, BLUE
- (C) FULL PORT BALL VALVE 1/4 TURN (BRASS RECOMMENDED)
- (D) RESIDENTIAL DUAL CHECK VALVE (DUC)

### NOTES:

1. REFURBISH OR REPLACE DUC BACKFLOW PREVENTER AT LEAST EVERY 10 YEARS.
2. MUST MEET FLORIDA BUILDING CODE THERMAL EXPANSION REQUIREMENTS.

N.T.S.